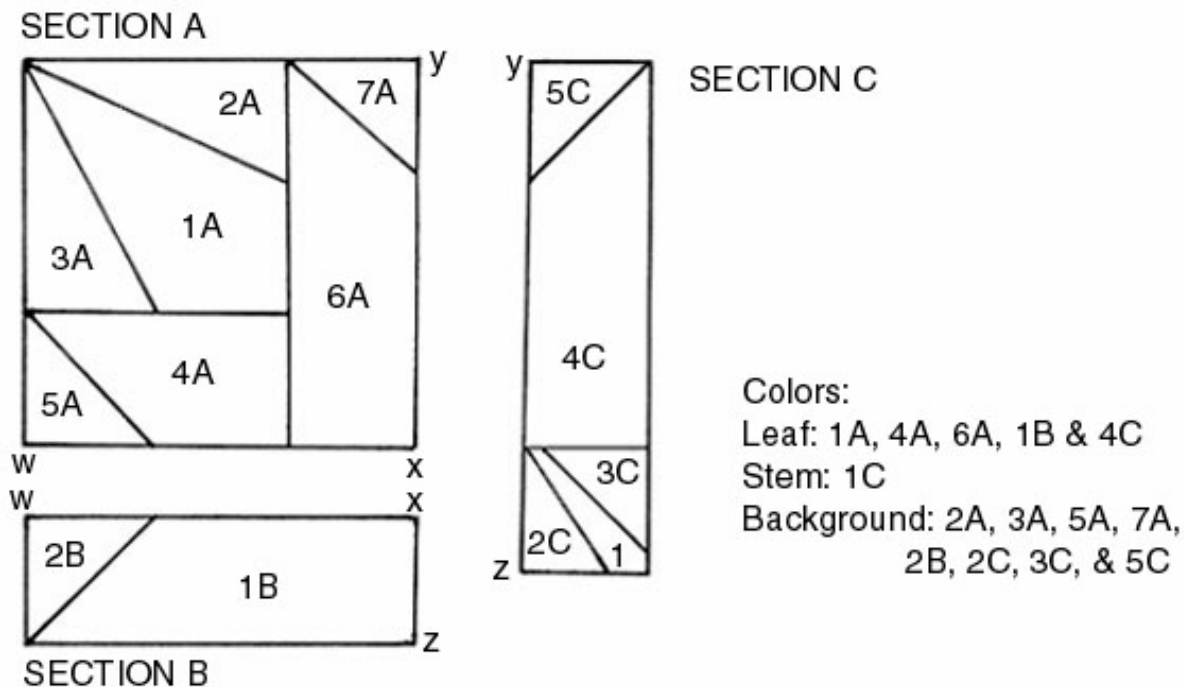


Pattern for Fabric Leaf: from *PIECES: A Year in Poems and Quilts* by Anna Grossnickle Hines



Note: You may want to trace the pattern onto a piece of freezer paper. Ironing the fabric onto the shiny side of the paper will help hold it in place. Be sure to put your marks on the papery side, not the plastic side.

Directions for Fabric Leaf:

1. Cut out the Pattern for Fabric Leaf Sections A, B, and C, adding 1/4 inch seam allowance on outside edges.
2. Cut a piece of leaf fabric large enough to cover space 1A with at least 1/4 inch seam allowance on all sides. Place the fabric on the back of the pattern covering the space. The right side of the fabric should face away from the pattern. (If you are using freezer paper, you can press this piece in place.)
3. Cut a piece of background fabric large enough to cover space 2A plus seam allowances. Place this fabric right sides together with piece 1A. Remember you will be doing this on the "wrong" side of the pattern.
4. Holding the fabric in place, turn the pattern line-side up and sew along the line between 1A and 2A. Open the seam and check to see that the fabric covers space 2A.
5. Fold the pattern along the seam line, and trim the seam to 1/8 inch. Unfold and press.
6. Repeat steps 3-5 for spaces 3A through 7A.
7. Construct Sections B and C.
8. With right sides facing, join Sections A and B at points *w* and *x*. Sew the seam between the points and press open.
9. With right sides facing join Sections A and B to Section C at points *y* and *z*. Sew and press open.

[Go to suggestions for framing.](#)